



Application

## MINI, Led downlight, recess, indoor/outdoor

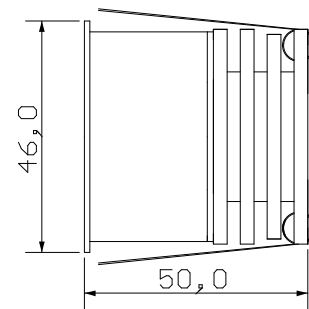
Elegant anodized aluminium casing. Intense and uniform lighting. Suitable for classic and modern environments. Standard opaque finish. Ideal for cabins, galleys, cockpits, bathrooms, etc.

The low consumption allows them to be used even in emergency systems.

### Technical specifications

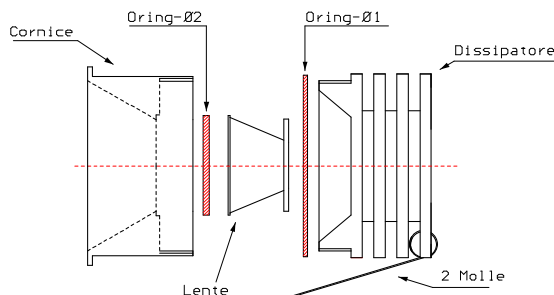
- Ceiling or wall mounting
- Stainless steel spring fitting
- Protection class: IP44/20 (IP65 with **Opz. "S"**)
- Opaque black finish
- Emission angle 35°
- Potency: 440 lm
- Prismatic lens filter
- Colour temperature: warm white 3000°K (4000°K with **Opz. 40**), or red
- Power consumption: 4 W
- Power supply: 10...30 Vdc
- Dimmable
- Light intensity: 520 lux at 1m
- Protected against power surges
- Dimensions: Ø 46 x 50 mm
- Cutout: Ø 42 mm
- Weight: ~ 107 g (complete with driver)

### Dimensions



Code	Description	Code	Description	QM
<b>LMI146KW30</b>	Led downlight, aluminium, opaque black finish, power supply 10...30Vdc, warm white light, IP44/20	<b>S</b>	<b>Opz.</b> – Protection class IP65	10
<b>LMI146KR</b>	Led downlight, aluminium, opaque black finish, power supply 10...30Vdc, red light, IP44/20	<b>ACD110</b>	<b>Acc.</b> - Driver for Led 24 Vdc	5

Exploded view with option "S"



Typical use for MINI with option "S"

