

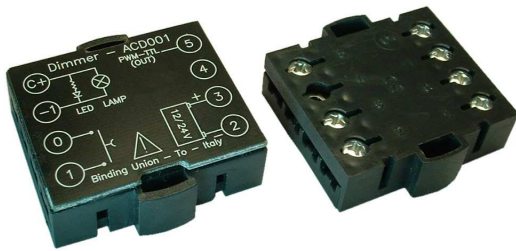


Product preview

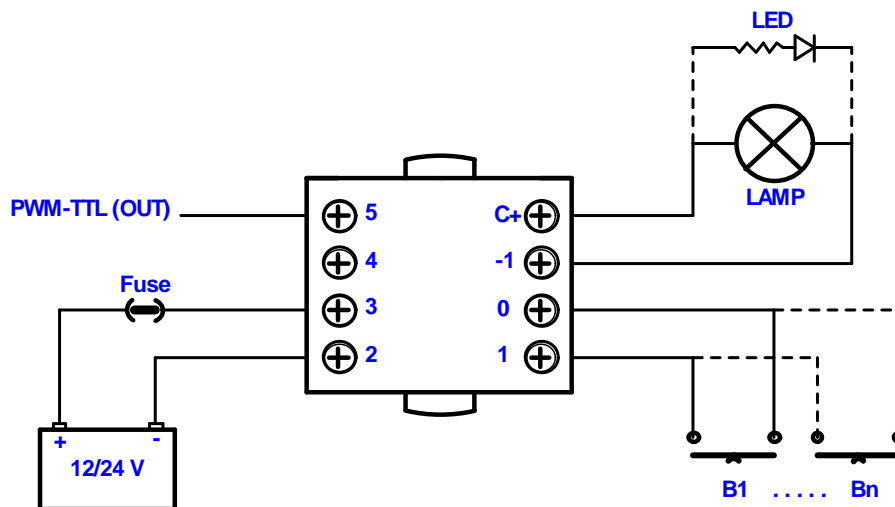
Binding Union srl - v.Cuornè, 21 - 10156 Torino (Italy) ☎ +39 011.2625414 📠 +39 011.2625428 🌐 www.binding.it

We have the pleasure of introducing

ACD001 ELECTRONIC DIMMER



- Fine control of voltage from 0 to 100%
- for incandescent or LED-based lamps, Resistive or Electronic PWM-TTL
- quick Installation
- Small size of 42x41x12mm
- power Output 25W at 12V (50W at 24V)
- Power supply 12/24 Vdc
- Low power consumption 20mAdc max
- Operating temperature 0...50°C
- Plastic case



Electronic dimmer for controlling incandescent or LED-based lamps, resistive or with a PWM-TTL input.

Its compact size allows it to be an ideal fit for thin spaces between walls, ceilings, etc. Driven by buttons of any brand (type SPST momentary), it can regulate the light intensity from any of the switching points of the electrical circuit.

Extremely easy operation: briefly pressing the command button switches the light on/off. Keeping the button pressed changes (increases/decreases) the intensity of the light. The present light intensity is kept in memory and restored the next time the lamp is switched on.

Thank you for your kind attention.

Please feel free to contact us if you want to express your interest in the product and be notified when it launches.